

Client Information: XXXXXXXX
Ph: XXXXXX
Email: XXXXXXXX.XX

Customer Information: XXXXXXXX
12345 Street name, XXXXX, XX XXXX

Commercial Roof Report

Order Number:

Aerial Photo



Location Map: [XXXXXXX](#)

Client Information: XXXXXXXX
 Ph: XXXXXX
 Email: XXXXXXXX.XX

Customer Information: XXXXXXXX
 12345 Street name, XXXXX, XX XXXX

Commercial Roof Report

Order Number:

Summary of Lengths, Areas and Pitches Table

Total Area (Sqft)	13818	Pitched Planes (Sqft)	13818
Primary Pitch	6:12	Flat Planes (Sqft)	0
Ridges (ft)	223	Valleys (ft)	167
Hips (ft)	242	Rakes + Eaves (ft)	1015
Rakes (ft)	315	Step Flashing (ft)	165
Eaves (ft)	702	Total Skylights	0
Apron Flashing (ft)	345	Total Chimneys	0
Solar Panels	0	Parapet Length (ft)	0

Notes: All Measurements are rounded up to the nearest Square foot/ Linear foot where appropriate.

Main Building (Break Down)

Total Area (Sqft)	12834
Ridges (ft)	205
Hips (ft)	175
Valleys (ft)	166
Rakes (ft)	315
Eaves (ft)	166
Rakes + Eaves (ft)	892
Apron Flashing (ft)	345
Step Flashing (ft)	164
Parapet Length (ft)	0

Detached Building (Break Down)

Total Area (Sqft)	984
Ridges (ft)	18
Hips (ft)	66
Valleys (ft)	0
Rakes (ft)	0
Eaves (ft)	0
Rakes + Eaves (ft)	123
Apron Flashing (ft)	0
Step Flashing (ft)	0
Parapet Length (ft)	0

Pitch Table (Pitch By Area)

Area (SqFt)	
Pitch/Slope	Area
6:12	13818
Total	13818

Client Information: XXXXX
Ph: xxxxxxx
Email: xxxxx@xxx.xxx

Customer Information: XXXXXX
12345 Street Name,xxxx,xx xxxxx

Commercial Roof Report

Order Number:

Property Photos



North Side View



South Side View

Client Information: XXXXX
Ph: xxxxxxx
Email: xxxxx@xxx.xxx

Customer Information: XXXXXXX
12345 Street Name,xxxx,xx xxxxx

Commercial Roof Report

Order Number:

Property Photos

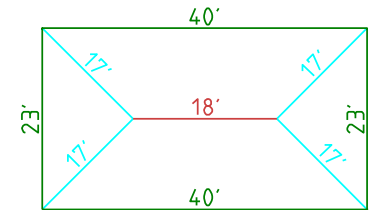
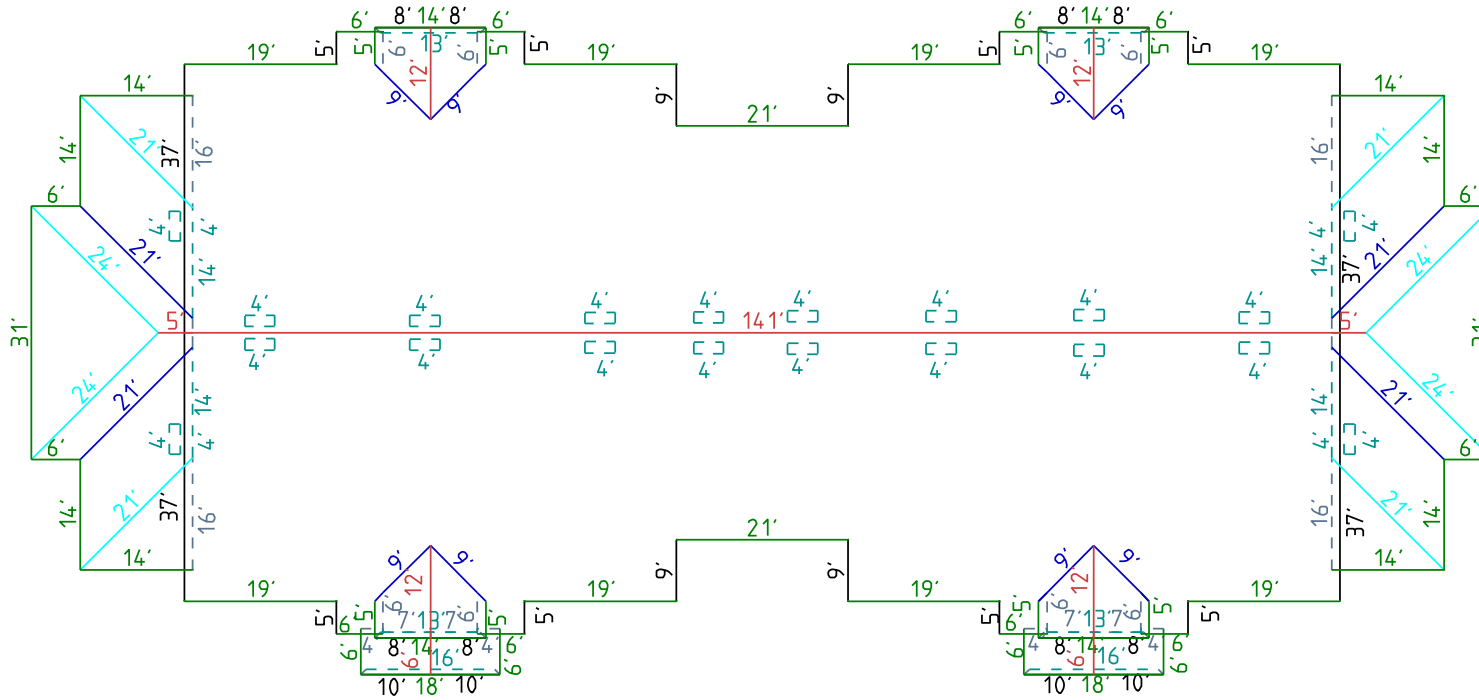


East Side View



West Side View

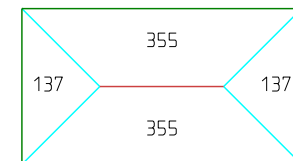
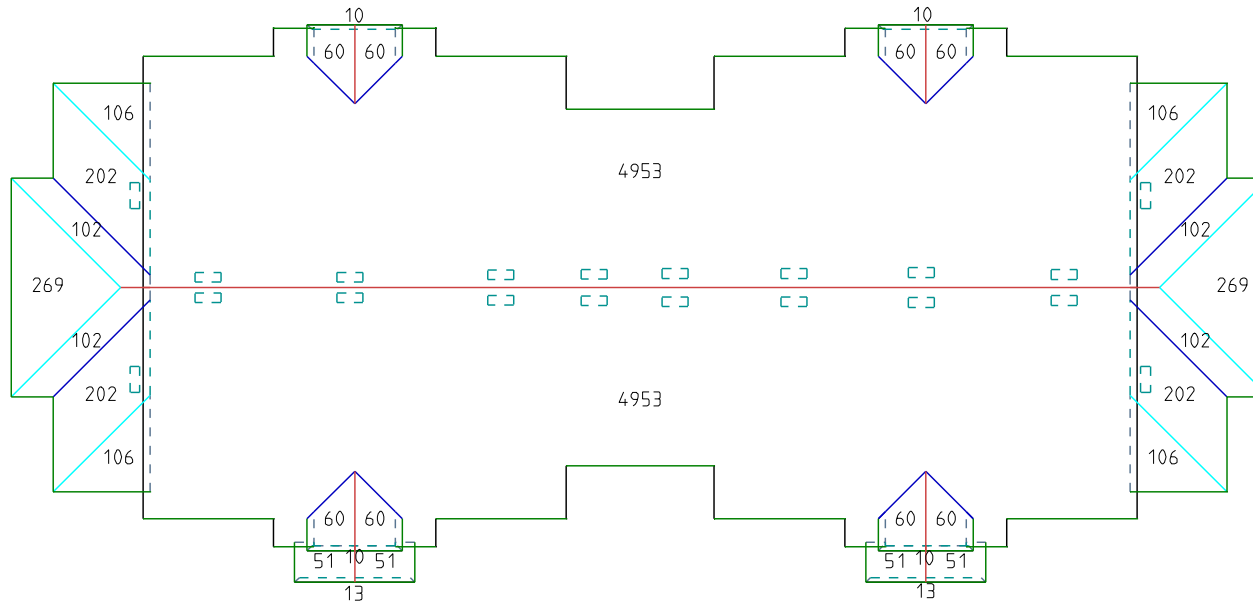
Length Plan



Legend

Eaves = 701ft Rakes = 315ft Ridges = 222ft Hips = 242ft Valleys = 166ft Apron Flashing = 345ft Step Flashing = 164ft Parapet Length = 0ft

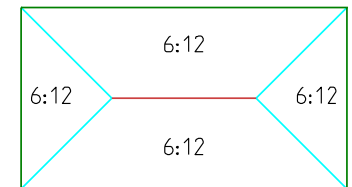
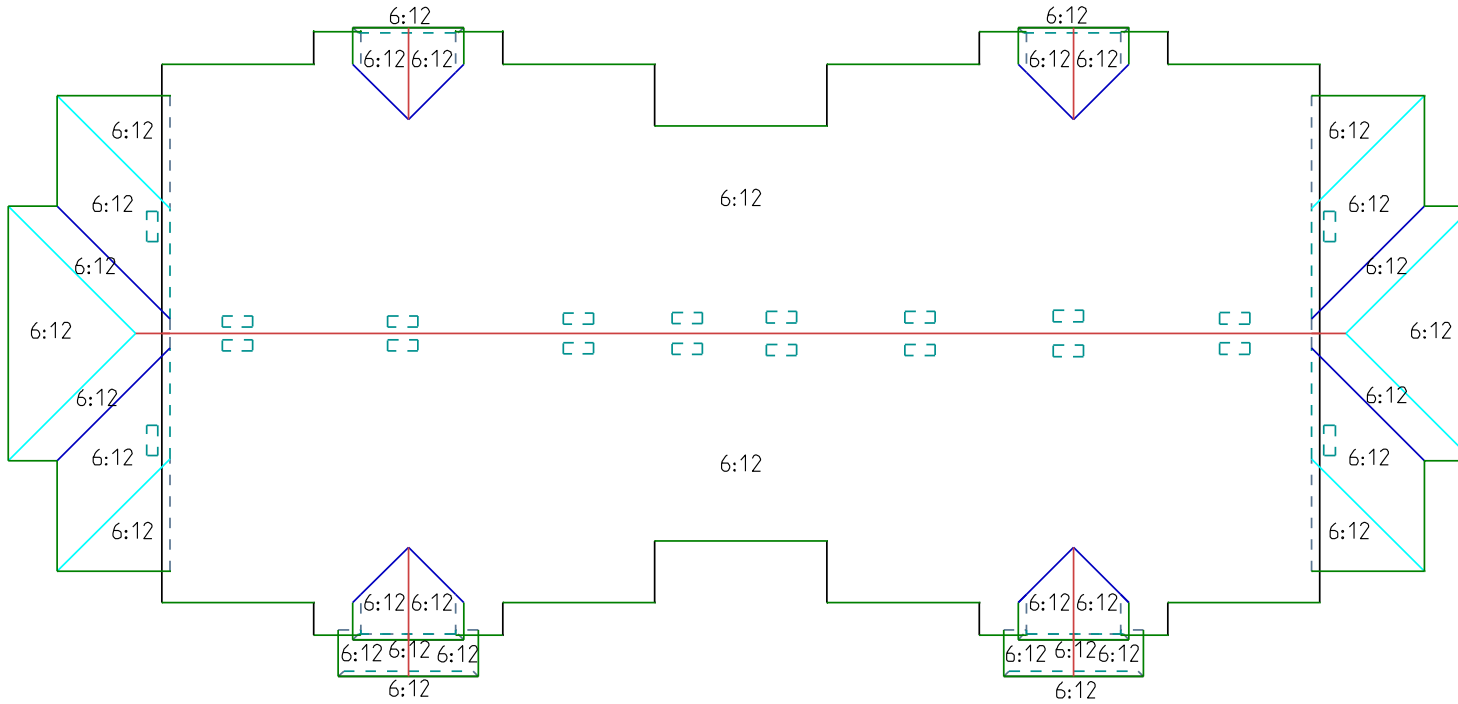
Area Measurements



Waste Factor Calculation for 13818 SqFt

5%	10%	12%	15%	18%	20%	25%
14490	15180	15456	15870	16284	16560	17250

Pitch Values



Client Information: XXXXX
Ph: xxxxxxx
Email: xxxxx@xxx.xxx

Customer Information: XXXXXX
12345 Street Name,xxxx,xx xxxxx

Commercial Roof Report

Order Number:

Street View

